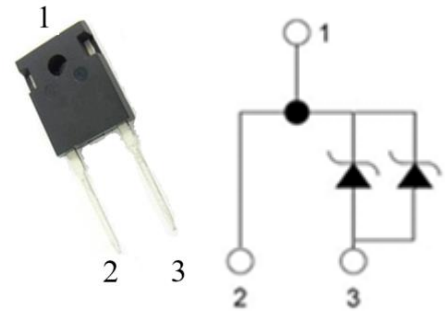


## Product Summary

$V_R = 1200\text{ V}$   
 $I_F = 50\text{ A}$  ( $T_C=150^\circ\text{C}$ )  
 $Q_c = 310\text{ nC}$  ( $V_R=800\text{ V}$ )



TO-247-2

## Features

- Zero Forward/Reverse Recovery Current
- High Blocking Voltage
- High Frequency Operation
- Positive Temperature Coefficient on  $V_F$
- Temperature Independent Switching Behavior
- High surge current capability
- 100% avalanche tested

## Benefits

- Higher System Efficiency
- Parallel Device Convenience without thermal runaway
- Higher Temperature Application
- No Switching loss
- Hard Switching & Higher Reliability
- Environmental Protection

## Applications

- Motor Drives
- Solar / Wind Inverters
- AC/DC converters
- DC/DC converters
- Uninterruptable power supplies

## Maximum Ratings ( $T_C=25^\circ\text{C}$ unless otherwise specified)

Parameter	Symbol	Test conditions	Value	Unit
Peak Repetitive Reverse Voltage	$V_{RRM}$		1200	V
Continuous Forward Current	$I_F$	$T_C=25^\circ\text{C}$ $T_C=135^\circ\text{C}$ $T_C=150^\circ\text{C}$	155 75 50	A
Non repetitive Forward Surge Current	$I_{FSM}$	$T_C = 25^\circ\text{C}$ , $t_p=10\text{ ms}$ , Half Sine Pulse $T_C = 110^\circ\text{C}$ , $t_p=10\text{ ms}$ , Half Sine Pulse	350 330	A
Repetitive peak Forward Surge Current	$I_{FRM}$	$T_C = 25^\circ\text{C}$ , $t_p=10\text{ ms}$ , Freq = 0.1Hz, 100 cycles, Half Sine Pulse $T_C = 110^\circ\text{C}$ , $t_p=10\text{ ms}$ , Freq = 0.1Hz, 100 cycles, Half Sine Pulse	320 300	A
Total power dissipation	$P_D$	$T_C=25^\circ\text{C}$ $T_C=110^\circ\text{C}$	625 271	W
Single Pulse Avalanche Energy	$E_{AS}$	$L=2\text{mH}$ , $I_{AS}= 22\text{A}$	484	mJ
Diode $dv/dt$ ruggedness	$dv/dt$	$V_R = 0\text{-}1200\text{V}$	80	V/ns
Operating Junction Temperature	$T_J$		-55 to 175	$^\circ\text{C}$
Storage Temperature	$T_{STG}$		-55 to 175	$^\circ\text{C}$

Stresses exceeding those listed in the Maximum Ratings table may damage the device. If any of these limits are exceeded, device functionality should not be assumed, damage may occur and reliability may be affected.

**Electrical Characteristics**

Parameter	Symbol	Test conditions	Min	Typ	Max	Unit
DC Blocking Voltage	$V_{DC}$	$T_J = 25^\circ C$	1200			V
Forward Voltage	$V_F$	$I_F = 50A, T_J = 25^\circ C$		1.40	1.7	V
		$I_F = 50A, T_J = 125^\circ C$		1.65		V
		$I_F = 50A, T_J = 175^\circ C$		1.85		V
Reverse Current	$I_R$	$V_R = 1200V, T_J = 25^\circ C$		30	200	$\mu A$
		$V_R = 1200V, T_J = 125^\circ C$		180		$\mu A$
		$V_R = 1200V, T_J = 175^\circ C$		540		$\mu A$
Total Capacitive Charge	$Q_C$	$V_R = 800V, T_J = 25^\circ C$		310		nC
Total Capacitance	C	$V_R = 1V, T_J = 25^\circ C,$ Freq = 1MHz		3620		pF
		$V_R = 400V, T_J = 25^\circ C,$ Freq = 1MHz		293		
		$V_R = 800V, T_J = 25^\circ C,$ Freq = 1MHz		207		

Note: This is a majority carrier diode, so there is no reverse recovery charge

**Thermal Characteristics**

Parameter	Symbol	Condition	Min	Typ	Max	Unit
Thermal Resistance	$R_{th(j-c)}$	junction-case		0.24		$^\circ C/W$

**Typical Electrical Curves**

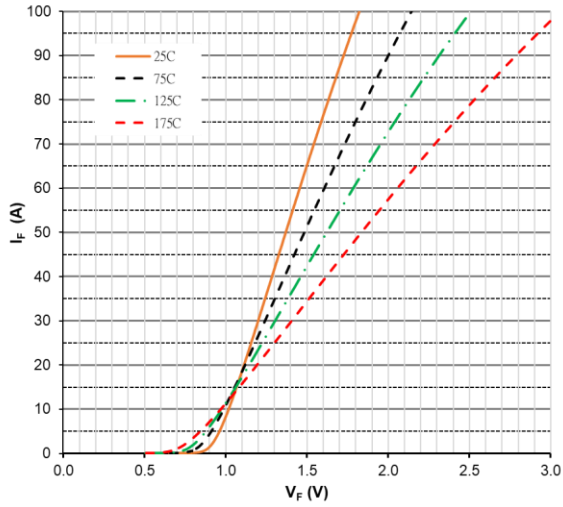


Figure 1. Forward Characteristics

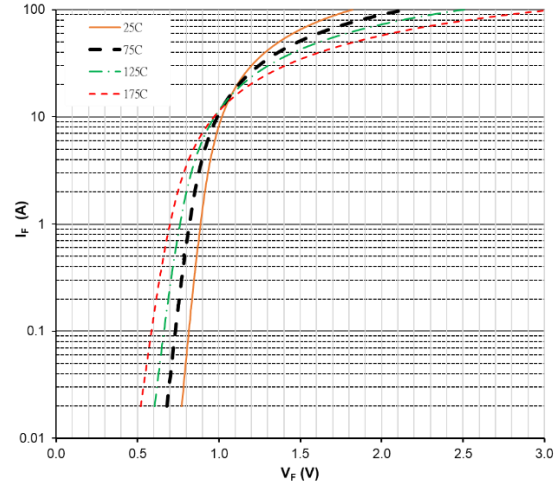


Figure 2. Forward Characteristics

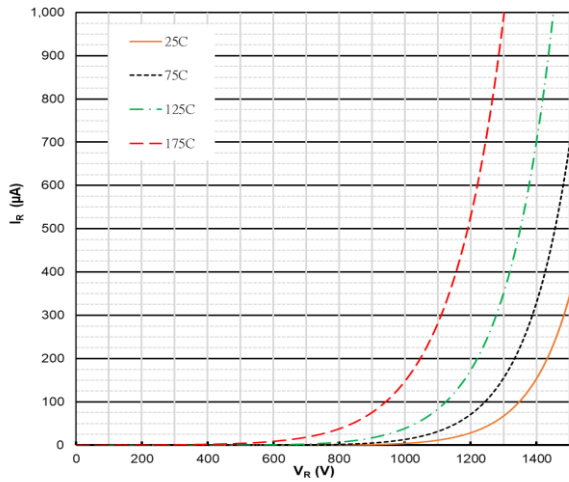


Figure 3. Reverse Characteristics

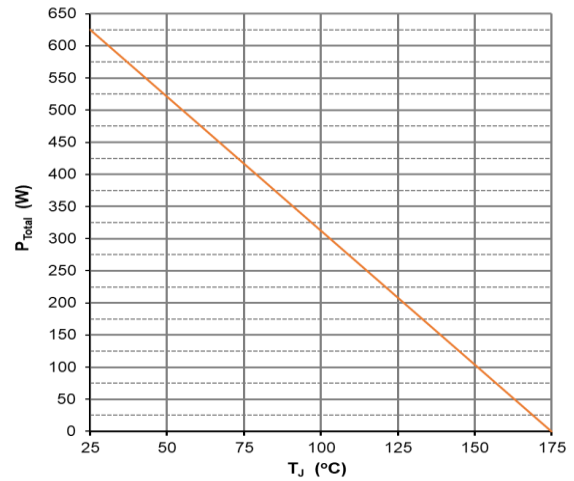


Figure 4. Power Derating

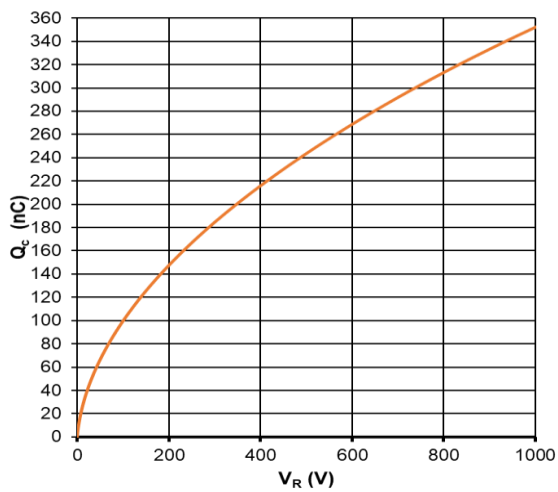


Figure 5. Reverse charge vs. Reverse Voltage

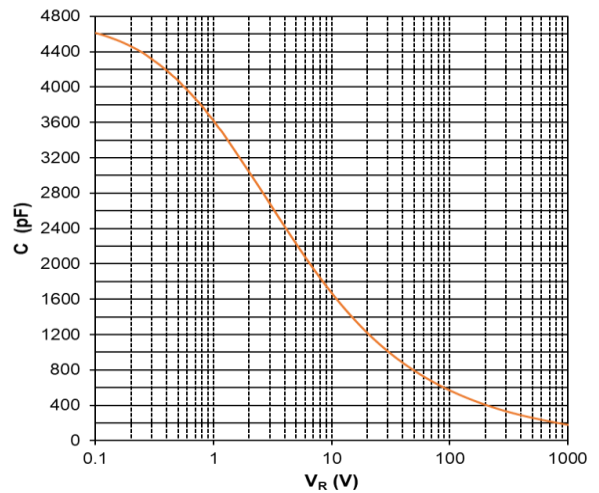
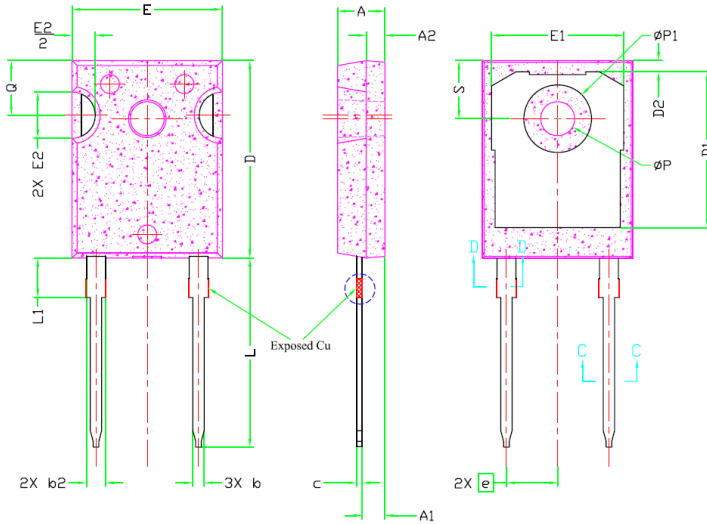


Figure 6. Capacitance vs. Reverse Voltage

**Package Dimensions**

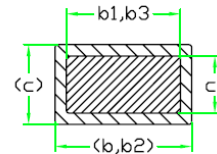
(TO-247-2 Package)



SYMBOL	DIMENSIONS			NOTES
	MIN.	NOM.	MAX.	
A	4.83	5.02	5.21	
A1	2.29	2.41	2.55	
A2	1.50	2.00	2.49	
b	1.12	1.20	1.33	
b1	1.12	1.20	1.28	
b2	1.91	2.00	2.39	6
b3	1.91	2.00	2.34	
c	0.55	0.60	0.69	6
c1	0.55	0.60	0.65	
D	20.80	20.95	21.10	4
D1	16.25	16.55	17.65	5
D2	0.51	1.19	1.35	
E	15.75	15.94	16.13	4
E1	13.46	14.02	14.16	5
E2	4.32	4.91	5.49	3
e	5.44BSC			
L	19.81	20.07	20.32	
L1	4.10	4.19	4.40	6
ØP	3.56	3.61	3.65	7
ØP1	7.19REF.			
Q	5.39	5.79	6.20	
S	6.04	6.17	6.30	



- Note:
1. Package Reference: JEDEC TO247, Variation AD.
  2. All Dimensions Are In mm.
  3. Slot Required, Notch May Be Rounded
  4. Dimension D & E Do Not Include Mold Flash. Mold Flash Shall Not Exceed 0.127mm Pre Side. These Dimensions Are Measured At The Outermost Extreme Of The Plastic Body.
  5. Thermal Pad Contour Optional Within Dimension D1 & E1.
  6. Lead Finish Uncontrolled In L1.
  7. ØP To Have A Maximum Draft Angle Of 1.5° To The Top Of The Part With A Maximum Hole Diameter Of 3.91mm.
  8. Dimension "b2" And "b4" Does Not Include Dambar Protrusion. Allowable Dambar Protrusion Shall Be 0.10mm Total In Excess Of "b2" And "b4" Dimension At Maximum Material Condition.



Section C--C,D--D